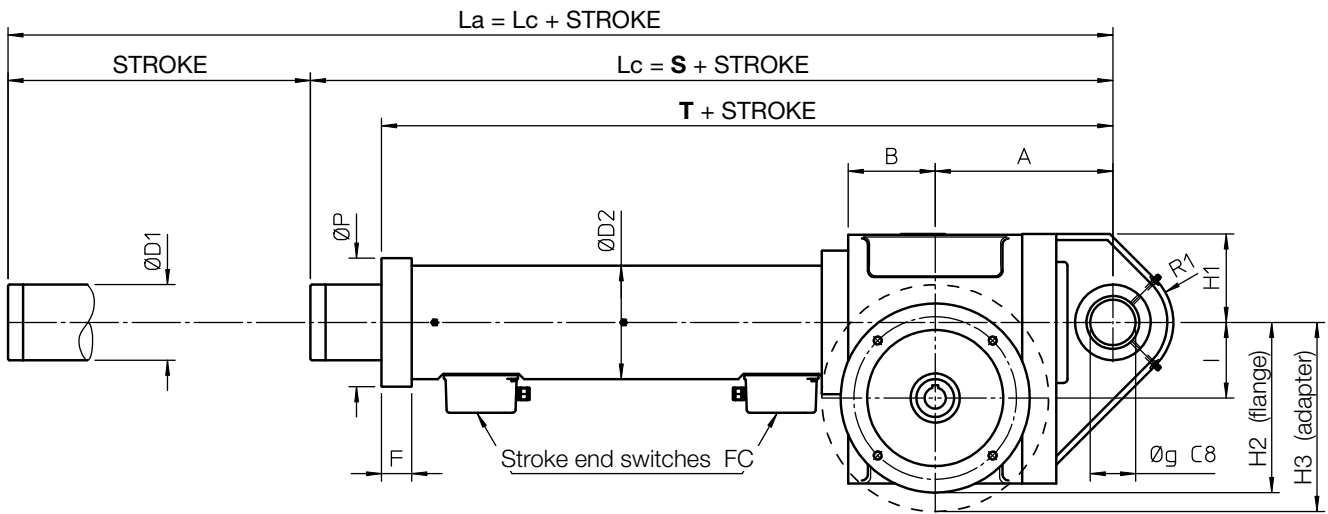


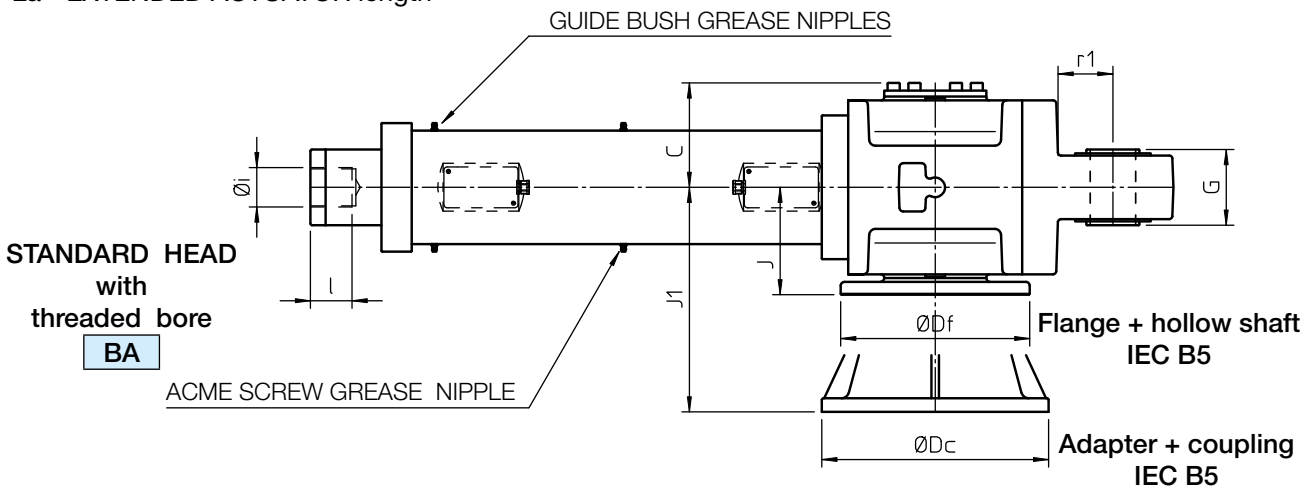
**Linear actuators BSA Series**

**BALL SCREW LINEAR ACTUATORS BSA Series, size 100 – 125**  
**AC 3-phase MOTOR – with Electric Stroke End Switches FC**

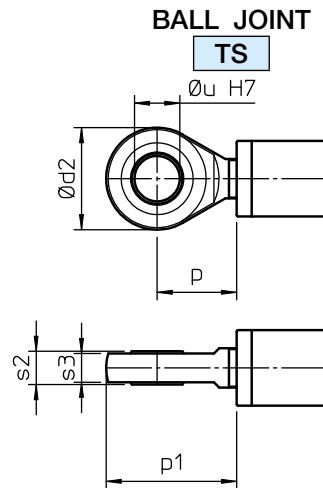
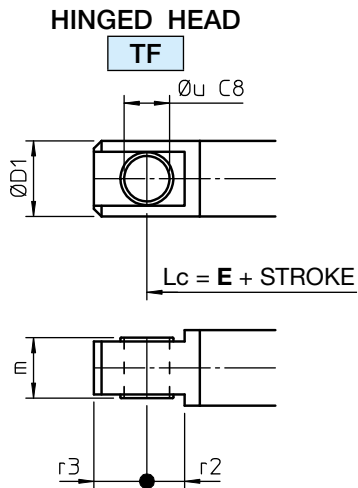
2



Lc - RETRACTED ACTUATOR length  
 La - EXTENDED ACTUATOR length



FRONT ATTACHMENTS



## Linear actuators BSA Series

### BALL SCREW LINEAR ACTUATORS BSA Series, size 100 – 125 AC 3-phase MOTOR – with Electric Stroke End Switches FC

	STROKE CODE	C...	S	T	E
<b>BSA 100</b>	STROKE [mm] = STROKE CODE	...	<b>779</b>	<b>666</b>	<b>839</b>
<b>BSA 125</b>			<b>975</b>	<b>914</b>	<b>1060</b>

NOTE: All stroke lengths are made on request.

For stroke lengths longer than 800 mm it is necessary to increase the guided length between push rod and outer tube to avoid axial backlash. Dimensions **S**, **T** and **E** shall be considered increased by 200 mm for stroke lengths up to 1500 mm.

For stroke lengths longer than 1500 mm please contact SERVOMECH.

	A	B	∅ D1	∅ D2	F	G	H1	I	∅ P	R1	∅ g	∅ i	l	r1
<b>BSA 100</b>	235	115	115	150	40	100	120	100	170	80	60	M60×4	60	72
<b>BSA 125</b>	320	140	150	200	—	100	335	125	—	90	80	M80×4	80	100

	Flange IEC	∅ Df	H2	J	Adapter IEC	∅ Dc	H3	J1
<b>BSA 100</b>	90 B5	200	225	142	132 B5	300	250	297
	100-112 B5	250	250	142				
<b>BSA 125</b>	—	—	—	—	132 B5	300	275	353
					160 B5	420	335	365

#### FRONT ATTACHMENT Dimensions

	∅ D1	∅ d2	m	p	p1	r2	r3	s2	s3	∅ u
<b>BSA 100</b>	115	135	80	95	163	50	70	44	38	60
<b>BSA 125</b>	150	180	100	130	220	80	80	55	47	80